

# adportas i2M Mini LTE-BPS2



Data gateway



## 1. Description.

*Adportas i2M Mini LTE-BPS2* is a data gateway that allows you to connect industrial units that have serial data communication ports (RS232 and RS485) to the Internet via a mobile network. Its main uses are the remote monitoring of processes and/or sensors (4 digital inputs), telemetry, and geolocation (via integrated GPS).

This complex integrated network communications system has been entirely programmed, electronically designed and finally assembled by the *Adportas software and hardware* departments in order to offer a great cost/benefit solution for our end customers.

*Adportas i2M Mini LTE-BPS2* is a transparent bridge under TCP / IP protocol between the connected device and the end user, as it does not need an external server to establish communication, allowing direct connection to your private mobile network.

*Adportas i2M Mini LTE-BPS2* has a web server that allows remote viewing and configuration of connection data (APN, Serial, GPS), also providing the device location when necessary.

*Adportas i2M Mini LTE-BPS2* allows you to obtain data from the equipment, modify its configuration and even restart the device through text messages (SMS). Supports sending messages by digital activation or power loss.

## 2. Specifications.

- Input voltage: 12VDC @ 1A.
  - Adaptor 90-240VAC / 50-60Hz
- Comunicação serial: RS232 and RS485 (de 2400 a 115200 Baud).
  - RS232: - 2.400 to 115.200 Baud.                      - RS485: - 2400 and 115200 Baud
  - Null modem support    - Half e full duplex support
  - Suporte HW handshaking
  - Conector DB9F
- Wireless communication (mobile network):
  - LTE-TDD: B40
  - LTE-FDD: B1 / B2 / B3 / B4 / B5 / B7 / B8 / B28
  - MTS / HSPA +: B1 / B2 / B5 / B8
  - GSM / GPRS / EDGE: 850/900/1800 / 1900MH
- Speed characteristics (mobile network):
  - LTE CAT4 -Uplink 50Mbps / Downlink 150Mbps
  - HSPA + - Uplink 5,76 Mbps / Downlink 42,0 Mbps
  - UMTS - Uplink / Downlink 384,0 Kbps
  - EDGE - Uplink / Downlink 236,8 Kbps
  - GPRS - Uplink / Downlink 85,6 Kbps
- Antenna
  - Frequency range: 700-2700 Mhz
  - Gain 7dBi
- WLAN Standard: IEEE 802.11 b / g / n
  - Wireless communication (WIFI), for configuration and / or reading.
- Operator Mode: AP
  - Wireless communication (WIFI), for configuration and / or reading.
- Clock: SNTP, NITZ (network identity and time zone) or GPS in selectable UTC format.

- Digital ports: 4 isolated inputs.
  - Voltage range 12 - 50 VDC
- LAST GASP power backup per supercapacitor, 3 minutes minimum autonomy \*.

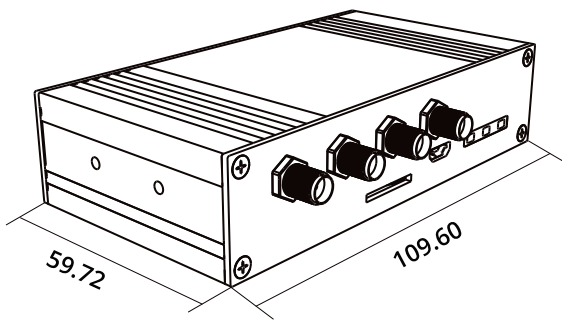
Time insured with a minimum charge period of 25 min. Exposing the equipment to temperatures above 65°C can shorten the life of the supercapacitor and therefore shorten runtime.

- Dual SMA connector for external 4G antenna. (Diversity, dual radio circuit)
- Number of supported SimCards: 1
- SimCard format: Mini SIM (2FF) 1.8 / 3.0V.
- Configuration: via the web through a viewing and configuration portal.
  
- Watchdog integrated by HW and SW
- LED indicators:
  - Power: indicates that the equipment is turned on.
  - Status: indicates whether or not you are connected to the network.
  - Serial: indicates if there is activity on the serial communication bus (RS232 and/or Rs485).
  
- Operating temperature: -20°C to 70°C.
  - Relative humidity: 90%
  
- Installation type:
  - By screws.
  - Optional: Din Clip for rail installation.
  
- Security protocols
  - Input / output port filter.
  - Password management (complexity, minimum characters, etc).
  - Option to change the equipment's default passwords.
  - Option to disable the services you do not want to use (SNMP, FTP; etc).
  - OpenVPN
  
- Firmware Update
  - The equipment software update will be done directly through a USB connection or remotely pointing to a valid web address within the network.
  
- Schedule
  - The i2M Mini LTE-BPS2 has an OpenLinux operating system, which allows you to run most popular Linux commands. Pearl and/or C files can be embedded.

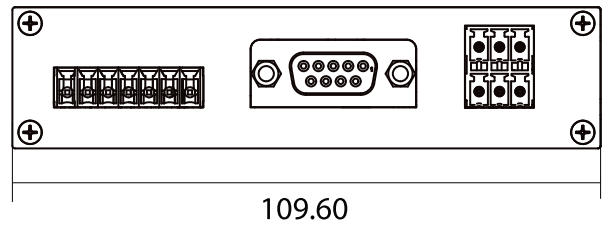
### 3. Physical Characteristics.

Case: matte black anodized aluminum  
Product dimensions in millimeters:

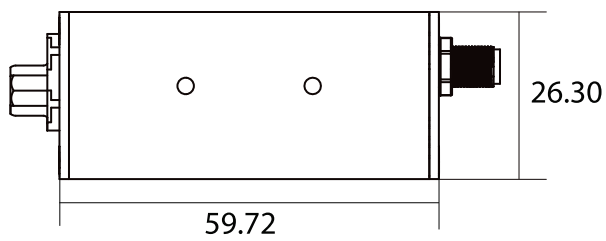
Vista Isométrica



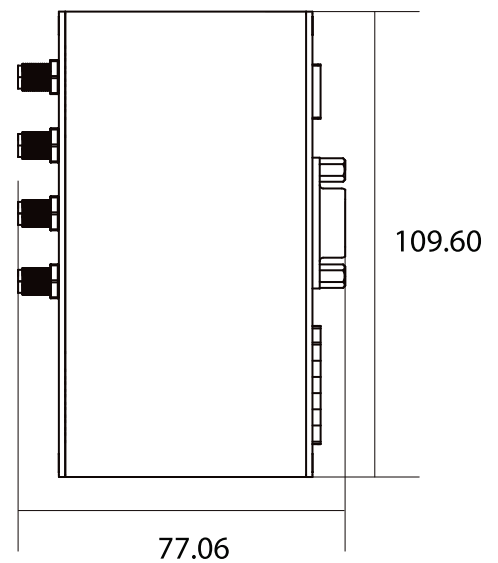
Vista Frontal



Vista Lateral



Vista Superior



#### 4. Adportas i2M Mini LTE-BPS parts and specifications.

##### TIPO DE INTERFAZ



##### TIPO PERIMETRAL

