



- Digital ports: 4 isolated inputs.
  - Voltage range 12 - 50 VDC
- LAST GASP power backup per supercapacitor, 3 minutes minimum autonomy \*.

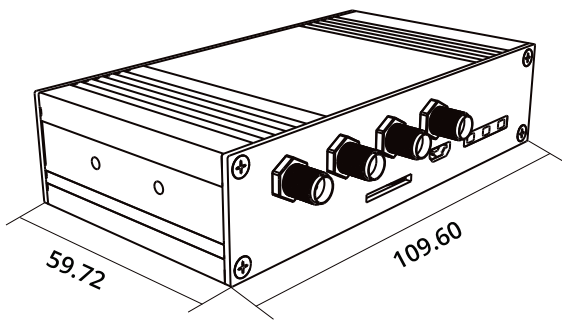
Time insured with a minimum charge period of 25 min. Exposing the equipment to temperatures above 65°C can shorten the life of the supercapacitor and therefore shorten runtime.

- Dual SMA connector for external 4G antenna. (Diversity, dual radio circuit)
- Number of supported SimCards: 1
- SimCard format: Mini SIM (2FF) 1.8 / 3.0V.
- Configuration: via the web through a viewing and configuration portal.
  
- Watchdog integrated by HW and SW
- LED indicators:
  - Power: indicates that the equipment is turned on.
  - Status: indicates whether or not you are connected to the network.
  - Serial: indicates if there is activity on the serial communication bus (RS232 and/or Rs485).
  
- Operating temperature: -20°C to 70°C.
  - Relative humidity: 90%
  
- Installation type:
  - By screws.
  - Optional: Din Clip for rail installation.
  
- Security protocols
  - Input / output port filter.
  - Password management (complexity, minimum characters, etc).
  - Option to change the equipment's default passwords.
  - Option to disable the services you do not want to use (SNMP, FTP; etc).
  - OpenVPN
  
- Firmware Update
  - The equipment software update will be done directly through a USB connection or remotely pointing to a valid web address within the network.
  
- Schedule
  - The i2M Mini LTE-BPS2 has an OpenLinux operating system, which allows you to run most popular Linux commands. Pearl and/or C files can be embedded.

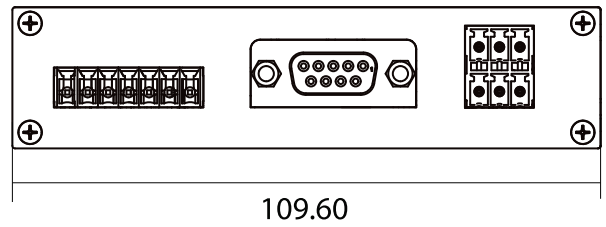
### 3. Physical Characteristics.

Case: matte black anodized aluminum  
Product dimensions in millimeters:

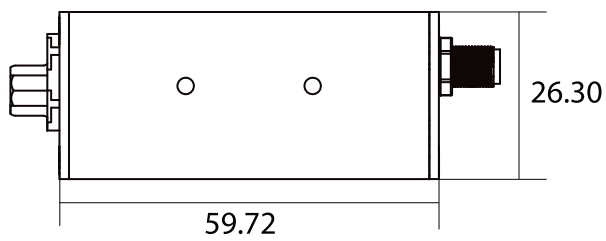
Vista Isométrica



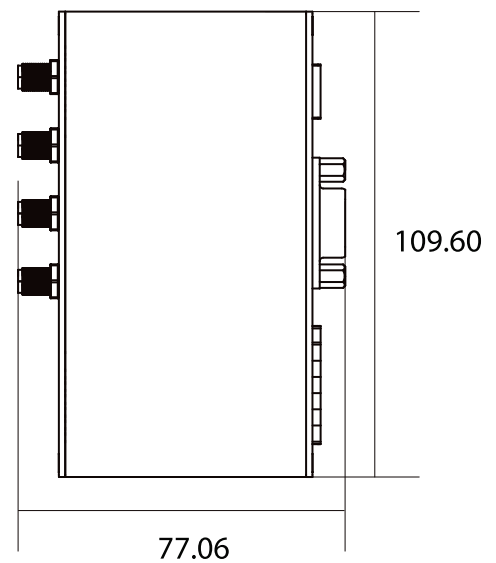
Vista Frontal



Vista Lateral



Vista Superior



#### 4. Adportas i2M Mini LTE-BPS parts and specifications.

##### TIPO DE INTERFAZ



##### TIPO PERIMETRAL

