

adportas i2M Mini LTE v.2

Data gateway



1. Description.

Adportas i2M Mini LTE is a data gateway that connects industrial equipment with serial data communication ports (RS232 and / or RS485) to the Internet through a mobile network or WIFI. Its main uses are remote monitoring of processes and / or sensors (two digital inputs), telemetry and geolocation (through built-in GPS).

This complex web communications integrated system has been fully programmed, electronically designed and assembled by our Adportas software and hardware departments, with the intention of providing the most cost-effective solution to our end customers.

Adportas i2M Mini LTE is a transparent bridge between the connected device and the end user, with no external server to establish communications, and able to be accessed directly from your private mobile network.

Adportas i2M Mini LTE port has a web server that allows remote viewing and configuration of the connection data (APN, Serial, GPS) and also provides device location when required.

Adportas i2M Mini LTE provides equipment data, configuration editing and even be remotely reset via text message (SMS) if necessary.

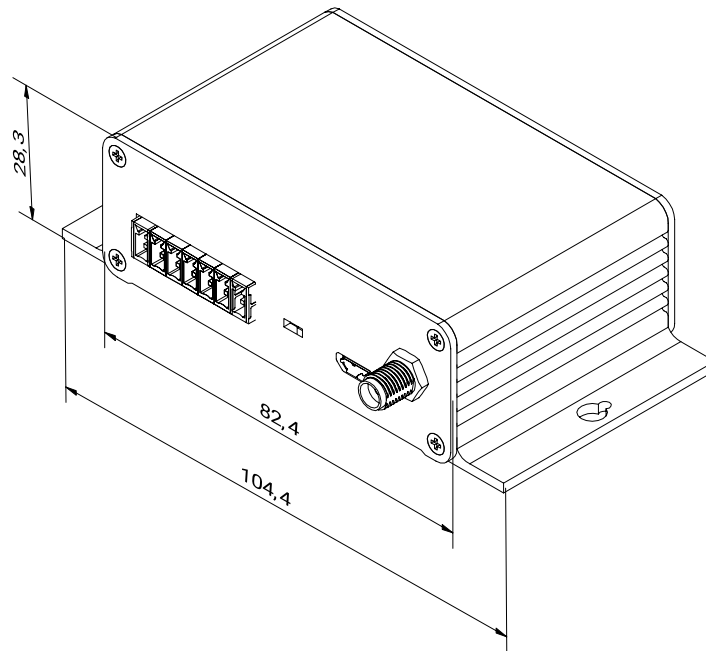
2. Specifications.

- Input voltage: 12VDC to 1A.
- Serial communication: RS232 or RS485 (from 2400 to 115200 Baud).
- Wireless communication (mobile network):
 - LTE-TDD: B40/B66
 - LTE-FDD: B1/B2/B3/B4/B5/B7/B8/B28
 - MTS/HSPA+: B1/B2/B5/B8
 - GSM/GPRS/EDGE: 850/900/1800/1900MH
- Wireless communication (WIFI)
- WLAN Standard: IEEE 802.11 b/g/n
- Operator Mode: AP, STA
- Digital doors: 2 inputs
- Selector that allows you to choose whether the serial port will work as RS232 or RS485.
- SMA coaxial connector for external 4G antenna.
- Number of SimCards supported: 1
- SimCard Format: Mini SIM (2FF).
- Configuration: via micro USB type B (USB 2.0).
- LED Indicators:
 - Power: Indicates that the machine is on.
 - Status: Indicates whether or not you are connected to the network.
 - Serial: Indicates whether there is activity on the serial communication bus (RS232 and / or RS485).
- Operating temperature: -15°C to 85°C.
- Type of installation:
 - With screws.
 - Optional: Din Clip for installation of rails.

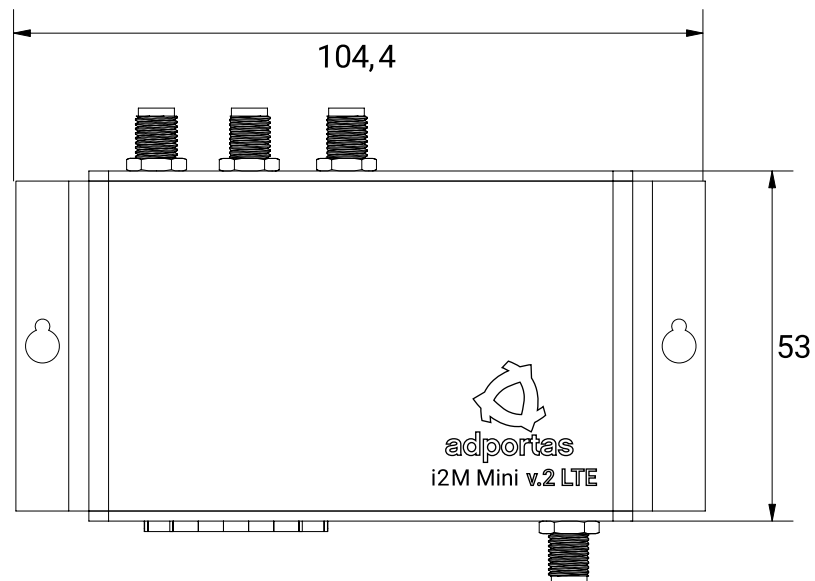
3. Physical Characteristics.

Housing: Black anodized aluminum.
Product Dimensions in millimeters:

Isometric view

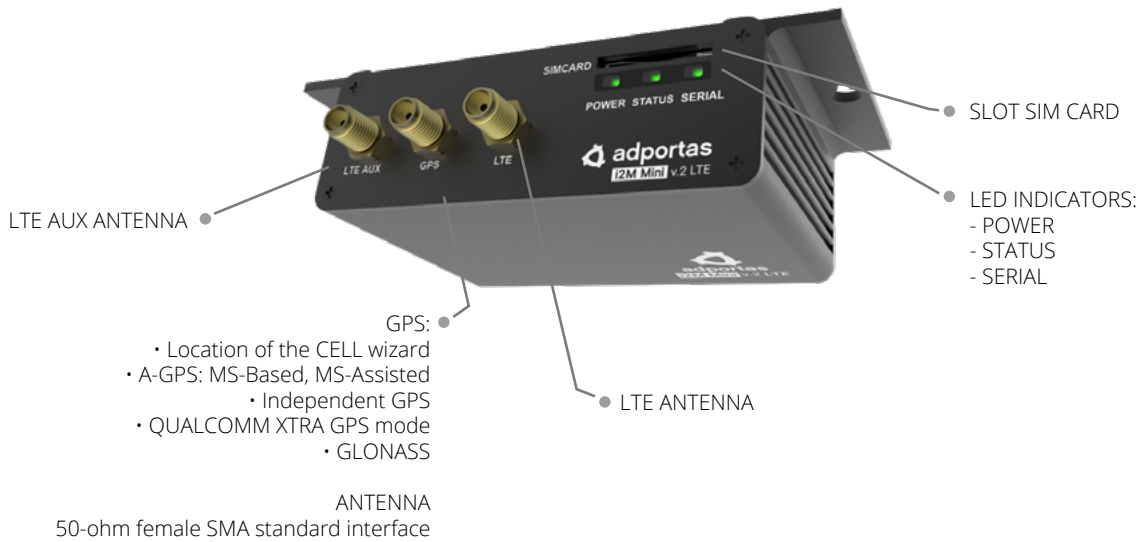


Front view



4. Adportas i2M Mini LTE parts & specifications.

INTERFACE TYPE



PERIMETER TYPE

