



adportas
LockAll
v. 8

Virtual lock for corporate
IP telephony



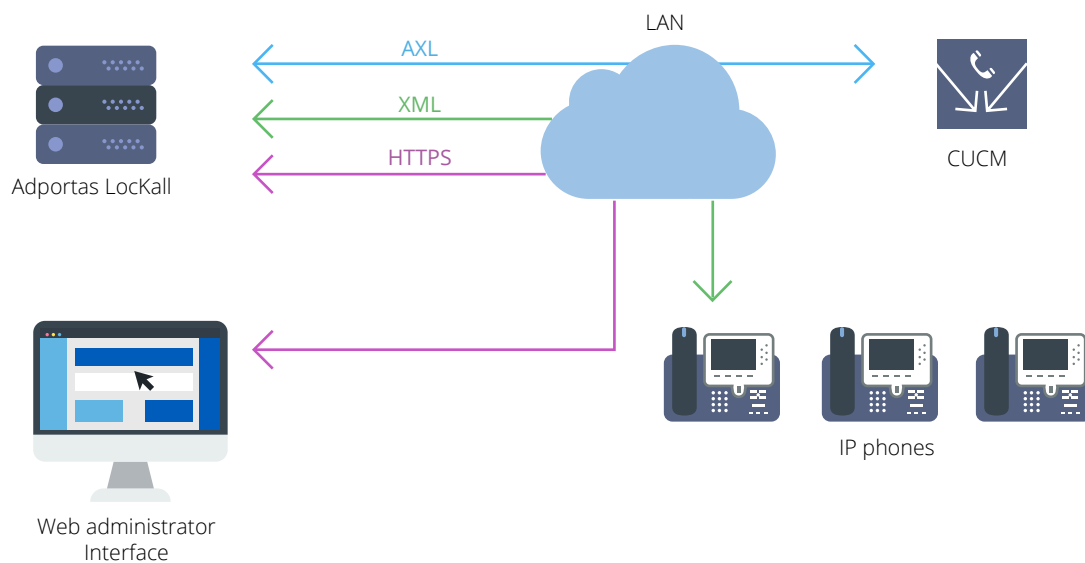
1. Description.

Adportas LockAll is a virtual lock that uses a personal password to effectively block and unblock *Cisco IP* telephones that support *XML* technology and are associated to a registered user within the *Adportas LockAll* server data base.

Over a *CSS* (Calling Search Space) previously configured for blocking within the *Cisco Unified Communications Manager*, *Adportas LockAll* limits the use of IP telephones and prevents any eventual improper usage, along with any extra associated costs.

Various options can be configured from the flexible web administration portal, such as general blocking on predefined days or at a specific time, adding or deleting users and checking the status for each line (blocked/unblocked), providing optimum control over each user.

2. Adportas LockAll architecture.



3. Adportas LockAll main functionalities.

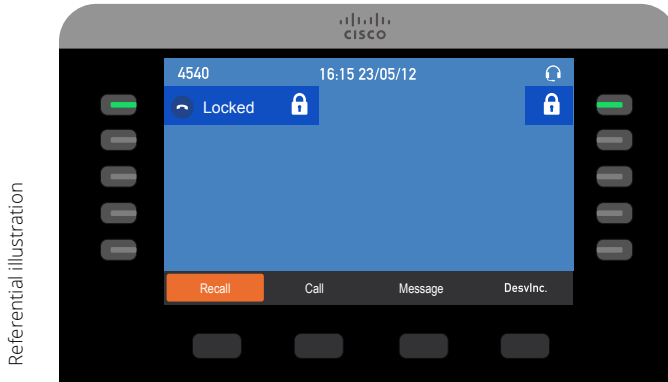
3.1 IP telephone user.

3.1.1 Activation/Deactivation.

From the IP telephone keyboard.

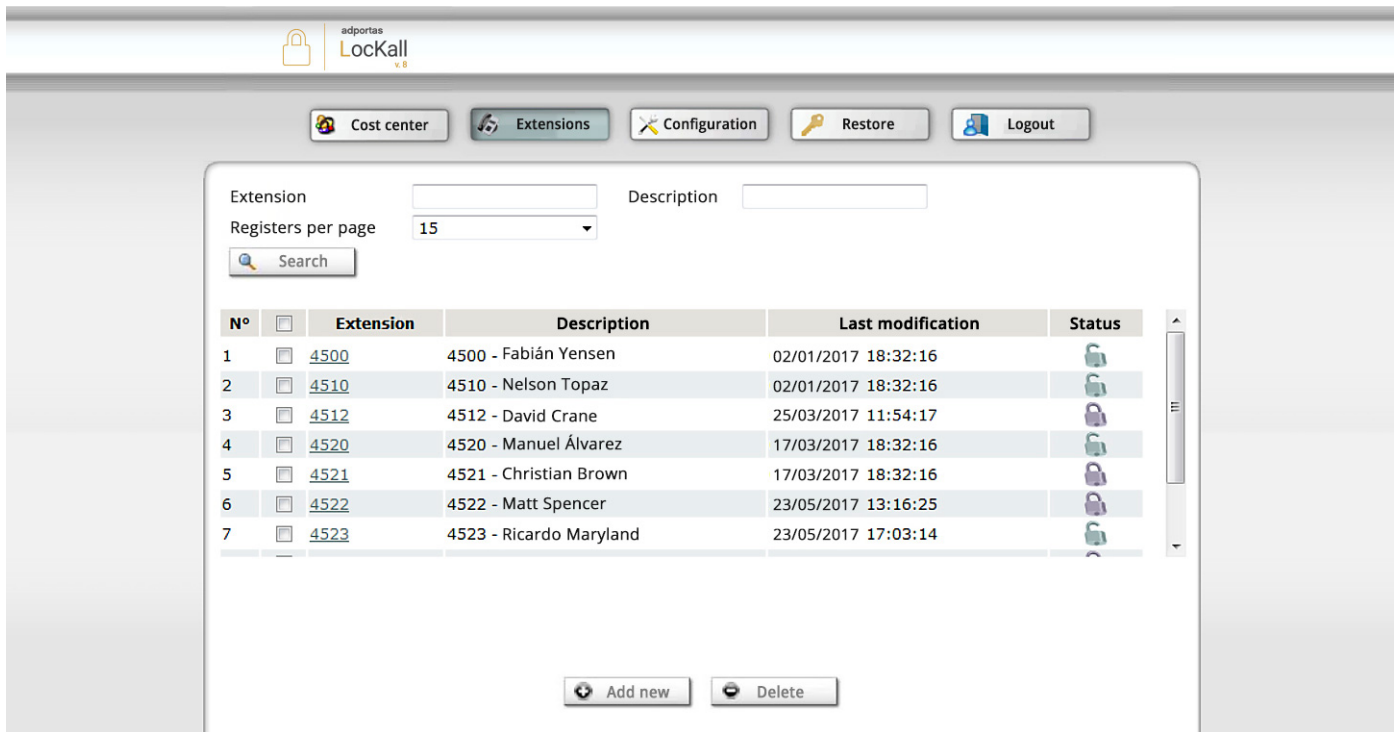


3.1.2 Numeric password.
 Personal password, per user.



3.2 Web portal administrator.

Status for each telephone (blocked/unblocked) is monitored over a web interface.



Configuration of predetermined emergency calls over a blocked telephone.

The screenshot shows the 'Configuration' tab in the LockKall web interface. At the top, there are navigation buttons for 'Cost center', 'Extensions', 'Configuration', 'Restore', and 'Logout'. The main content area contains a form with the following fields:

- CallManager IP Cisco: 10.10.10.3
- CallManager version: 4
- LockKall password: 123
- LockKall normal CSS: Local
- LockKall lock CSS: (empty)
- Portal user: admin
- Portal password: (masked with dots)
- Lock message: Locked

A 'Save' button is located at the bottom center of the form.

Mass blocking at predetermined times via costs center.

The screenshot shows the 'Cost center' management interface. At the top, there are navigation buttons for 'Cost center', 'Extensions', 'Configuration', 'Restore', and 'Logout'. Below the navigation bar, there are search and filter options:

- Name: (input field)
- Description: (input field)
- Registers per page: 15 (dropdown menu)
- Search: (button)

The main content is a table with the following data:

Nº	<input type="checkbox"/>	Name	Description	Lock hour	Last modification
1	<input type="checkbox"/>	Comercial	Comercial	20:00	02/01/2017 10:49:42
2	<input type="checkbox"/>	Design	Design	19:00	02/01/2017 18:34:12
3	<input type="checkbox"/>	Products	Products	19:30	25/03/2017 17:51:09
4	<input type="checkbox"/>	Secretaries	Secretaries	:	25/03/2017 19:14:46

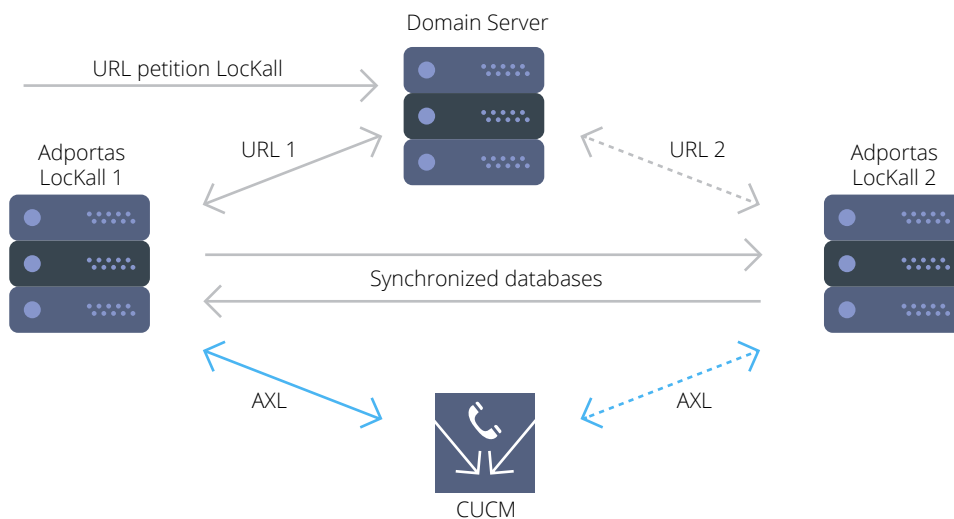
At the bottom of the table, there are two buttons: 'Add new' and 'Delete'.

3.3 Specific functionalities.

- **Security:** a personal password is generated for each user, limiting free access to the IP telephone.
- **XML dialog:** simple user/Adportas LockAll and friendly interface via IP telephone screen.
- **One-to-One Lock:** The flexibility of Adportas LockAll allows for various types of personalized one-to-one blockings.
- **Scalability:** No hardware modifications are required when incorporating new telephones to the corporate network, only additional licenses.

3.4 Adportas LockAll 1+1 contingency.

- Any LockAll URL petition will be routed to the Domain Server.
- 1+1 contingency system.
- Primary and secondary URLs.
- Two LockAll servers per CUCM Cluster.
- Synchronized databases in both servers.
- *CUCM/LockAll* dialog over *AXL*.



Requirements

Servidor Adportas LockAll

Cisco CUCM version 8.0 or higher.
 LAN network access with Cisco CUCM visibility in same VLAN.
 Creation of Blocking CSS in Cisco CUCM.
 Application user supporting AXL with CUCM.
 Creation of Adportas LockAll service in Cisco CUCM (manual included).
 Association of telephones to Adportas LockAll in Cisco CUCM (manual included).

Cisco IP telephone models supporting XML services.
 OS Linux CentOS 6 or higher.

Administration web portal

Intranet http connection.
 Creation of users with individually associated telephones (manual included).